
MSM7586-01/03

 $\pi/4$ Shift QPSK MODEM/ADPCM CODEC

GENERAL DESCRIPTION

The MSM7586 is a CMOS IC developed for use with digital cordless telephones. The device provides a $\pi/4$ shift QPSK modem function and a CODEC function which performs transcoding between the voice band analog signal and 32 kbps ADPCM data.

The MSM7586 performs DTMF tone and several types of tone generation, transmit/receive data, mute and gain control, side-tone pass and its gain control, and VOX function.

FEATURES

($\pi/4$ Shift QPSK Modem Unit)

- 384 kbps transmission speed
- Built-in root Nyquist digital filter for the baseband band limiter
- Built-in D/A converters for the analog outputs of the quadrature signal component I and Q
- The DC offset and gain can be adjusted with respect to the differential I and Q analog outputs
- Completely digitized $\pi/4$ shift QPSK demodulator system

(ADPCM CODEC Unit)

- ADPCM system: built-in ITU-T Recommendations G.726 (32kbps, 24 kbps, 16 kbps)
- Transmit/receive full-duplex capability
- PCM interface code format: selectable between μ -law and A-law
- Serial ADPCM and PCM transmission rate: 64 kbps to 2,048 kbps
- Transmit/receive mute function; transmit/receive programmable gain setting
- Side tone generator (8-step level adjustment)
- Built-in DTMF tone, ringing tone, and various ringing tone generators
- Built-in VOX function

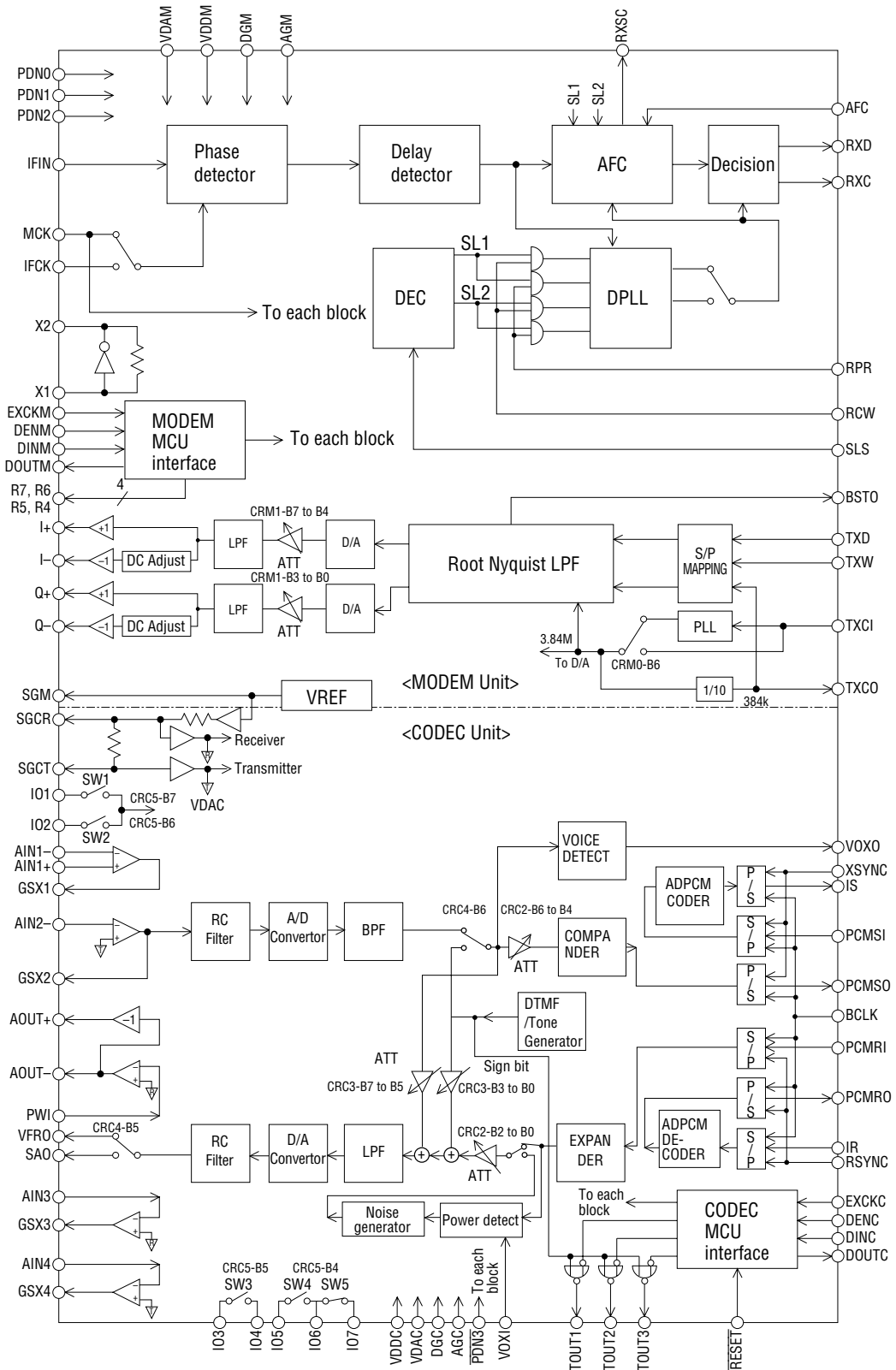
(Common Unit)

- Operate with a single 3 V power supply (V_{DD} : 2.7 V to 3.6 V)
- Low power consumption
When entire system is operating: 20 mA Typ.
When powered down: 0.02 mA Typ.

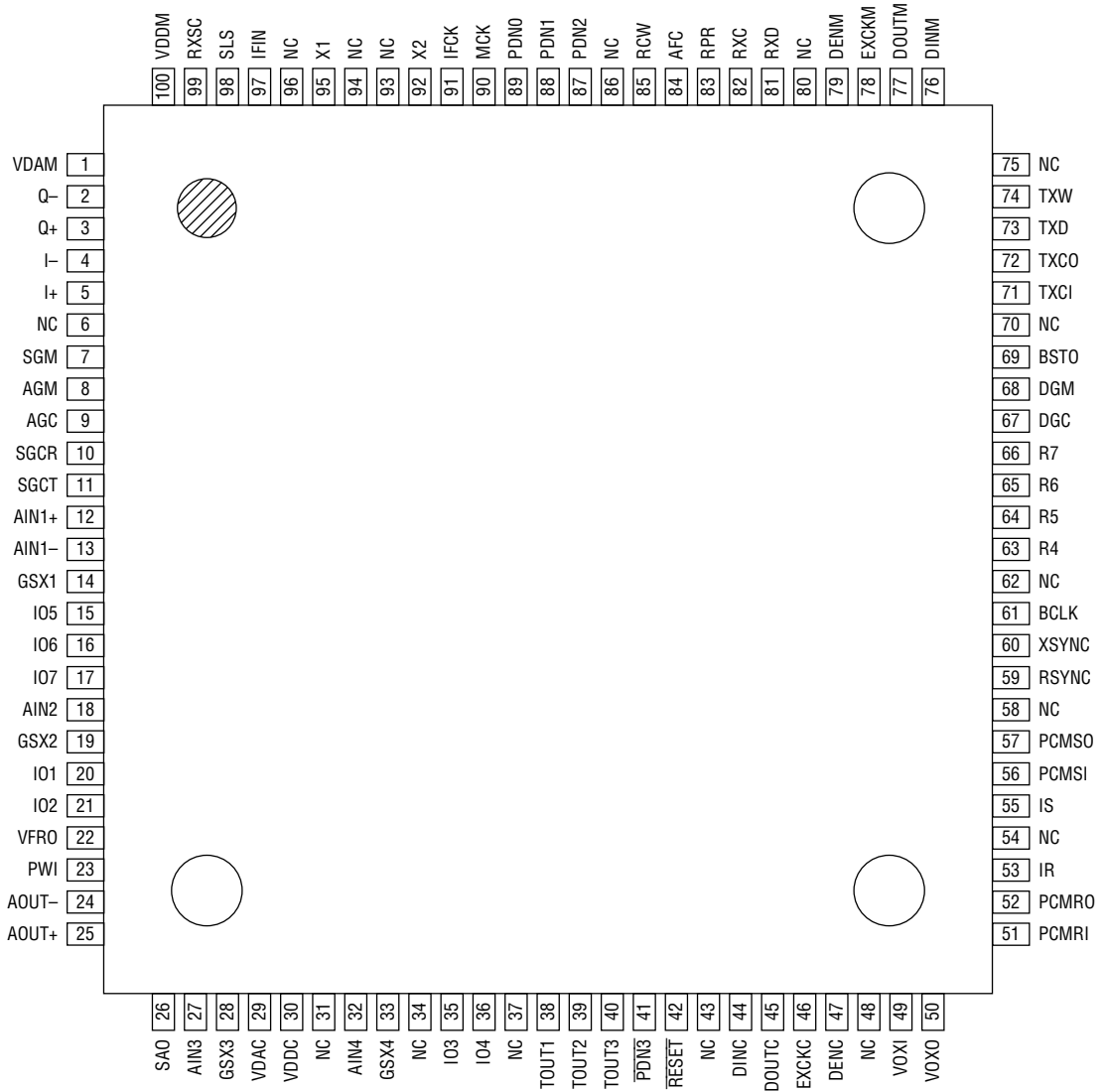
- Package:

100-pin plastic TQFP (TQFP100-P-1414-0.50-K) (Product name: MSM7586-01TS-K)
(Product name: MSM7586-03TS-K)

BLOCK DIAGRAM



PIN CONFIGURATION (TOP VIEW)



NC : No connect pin

100-Pin Plastic TQFP

PIN AND FUNCTIONAL DESCRIPTIONS

(Modem Unit)

TXD

Transmit data input for 384 kbps.

TXCI

Transmit clock input.

When the control register CRM0 - B6 is "0", a 384 kHz clock pulse synchronous with TXD should be input to this pin. This clock pulse should be continuous because this device use APLL to generate an internal clock pulse.

When CRM0 - B6 is "1", a 3.84 MHz clock pulse should be input to this pin. When the 3.84 MHz clock pulse is applied to TXCL, TXCO outputs a 384 kHz clock pulse, which is generated by dividing the TXCL input by 10. The transmit data, synchronous to the 384 kHz clock pulse, should be input to the TXD. In this case the devices do not use APLL, and the 3.84 MHz clock pulse need not be continuous. (Refer to Fig. 1.)

TXCO

Transmit clock output.

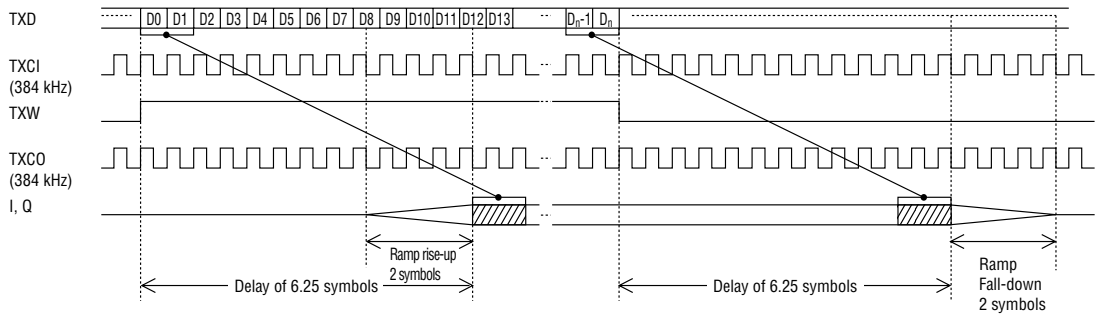
When CRM0 - B6 is "0", TXCO outputs the 384 kHz clock pulse (APLL output) for monitoring purposes. When CRM0 - B6 is "1", this pin outputs a 384 kHz clock pulse generated by dividing the TXCI input by 10. (Refer to Fig. 1.)

TXW

Transmit data window signal input.

The transmit timing signal for the burst data is input to this pin. If TXW is "1", the modulation data is output. (Refer to Fig. 1)

(1) CRM0 – B6 = "0"



(2) CRM0 – B6 = "1"

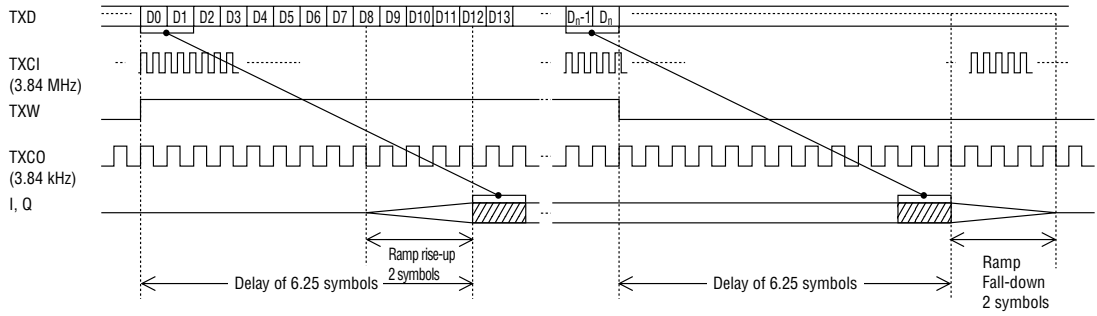


Figure 1 Transmit Timing Diagram

BSTO

BSTO is the modulator side burst window output.

The burst position of the I and Q baseband modulator output is output.

I+, I-

Quadrature modulation signal I Component differential analog output.

Their output levels are $500 \text{ mV}_{\text{pp}}$ (when TXD = "0": $360 \text{ mV}_{\text{pp}}$ typ.) with 1.6 Vdc as the center value. The output pin load conditions are: $R \geq 10 \text{ k}\Omega$, $C \leq 20 \text{ pF}$. The gain of these pins can be adjusted using the control register CRM1 - B7 to B4, and the offset voltage at the I- pin can be adjusted using CRM3 - B7 to B3.

Q+, Q-

Quadrature modulation signal Q component differential analog outputs.

Their output levels are $500 \text{ mV}_{\text{pp}}$ (when TXD = "0": $360 \text{ mV}_{\text{pp}}$ typ.) with 1.6 Vdc as the center value. The output pin load conditions are: $R \geq 10 \text{ k}\Omega$, $C \leq 20 \text{ pF}$. The gain of these pins can be adjusted using the control register CRM1 - B3 to B0, and the offset voltage at the Q- pin can be adjusted by using CRM4 - B7 to B3.

SGM

Internal reference voltage output.

The output voltage value is approximately 2.0 V. Insert a bypass capacitor between this pin and the AGM pin. During power down, this output is at 0 V.

The external SG voltage if necessary should be used via a buffer.

PDN0, PDN1, PDN2

Various power down control.

PDN0 controls the standby mode/communication mode; PDN1 controls the modulator unit; and PDN2 controls the demodulator unit. Refer to Table 1 for details.

The control register reset input width should be 200ns or more.

Table 1: Description of Modem Power Down Control

	PDN0	PDN2	PDN1	Operation State	Mode Name
Standby Mode	0	0/1	1	Entire system is powered down. The control register is reset.	Mode A
	0	0	0	Entire system is powered down. The control register is not reset.	Mode B
	0	1	0	Modulator unit is powered off. (VREF and PLL also powered off.) Demodulator unit is powered on.	Mode C
Communication Mode	1	0	0	Modulator unit is powered off. (VREF and PLL are powered on.) I and Q outputs are in a high impedance state. Only the demodulator clock regenerator unit is powered on.	Mode D
	1	0	1	Modulator unit is powered on. Only the demodulator clock regenerator unit is powered on.	Mode E
	1	1	0	Modulator unit is powered off. (VREF and PLL are powered off.) I and Q outputs are in a high impedance state. Demodulator unit is powered on.	Mode F
	1	1	1	Modulator unit is powered on. Demodulator unit is powered on.	Mode G

VDDM, VDAM

+3 V power supply for the modem unit.

Supplied to the digital circuits through the VDDM pin and to the analog circuits through the VDAM pin. VDDM and VDAM, and VDDC and VDAC should be connected as close as possible on the PC board.

DGM, AGM

Ground pins for the modem unit.

DGM is the ground pin of the digital system, and AGM is the ground pin of the analog system. Since DGM and AGM are isolated inside the IC, connect them as close as possible on the circuit board.

MCK

Master clock input.

The clock frequency is 19.2 MHz.

IFIN

Modulated signal input for the demodulator block.

Select the IF frequency can be selected from 1.2 MHz, 10.7 MHz, 10.75 MHz, and 10.8 MHz, based on CRM0 - B4 and B3.

IFCK

Clock frequency 19.0222 MHz input for demodulator block IF frequencies of 10.7 MHz.

If the IF frequency is 1.2 MHz or 10.8 MHz, set this pin to "0" or "1". (Refer to Fig. 2.)

X1, X2

Crystal oscillator connection pins.

When supplying a 19.0222 MHz clock to IFCK, use these pins. (Refer to Fig. 2.)

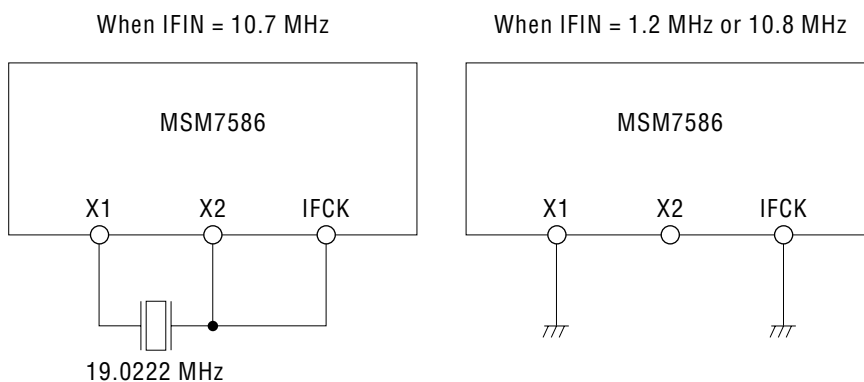


Figure 2 How to Use IFCK, X1, and X2

RXD, RXC, RXSC

Receive data and receive clock outputs.

When the modem unit is powered on, RXD, RXC and RXSC are selected based on SLS as shown in Figure 3. These outputs are used by the clock regenerator circuit.

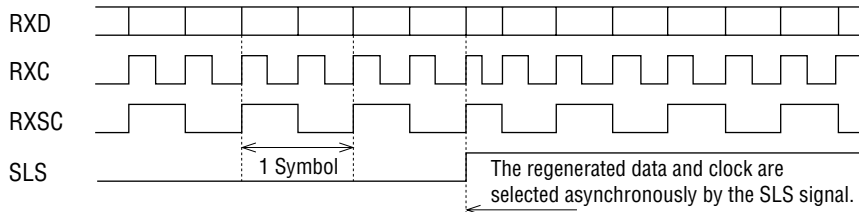


Figure 3 Timing Diagram of RXD, RXC, and RXSC

SLS

Receive side operation slot selection signal.

This device has two clock regenerator circuits and two AFC data memory registers. If SLS is "0", slot 1 is selected, if SLS is "1", slot 2 is selected.

RPR

High-speed phase clock control signal input for the clock recovery circuit.

If this pin is at "0", the circuit is always in the low-speed phase clock mode. If this pin is at "1", the clock recovery circuit enters the high-speed phase clock mode. When the phase difference is less than a defined value, the circuit shifts to the low-speed phase clock mode automatically.

AFC

AFC operation range specification signal input.

As shown in Fig. 4, the AFC information is reset when both AFC and RPR are set to "1". AFC operation starts after a fixed number of clock cycles and the AFC information is reset. If RPR is set to "1", an average number of times that AFC turns on is low. If RPR is "0", AFC is high. If AFC is "0", frequency error is not calculated, but the frequency is corrected using an error that is held.

RCW

Clock recovery circuit operation ON/OFF control signal input.

If RCW this pin is "0", DPLL does not make any phase corrections.

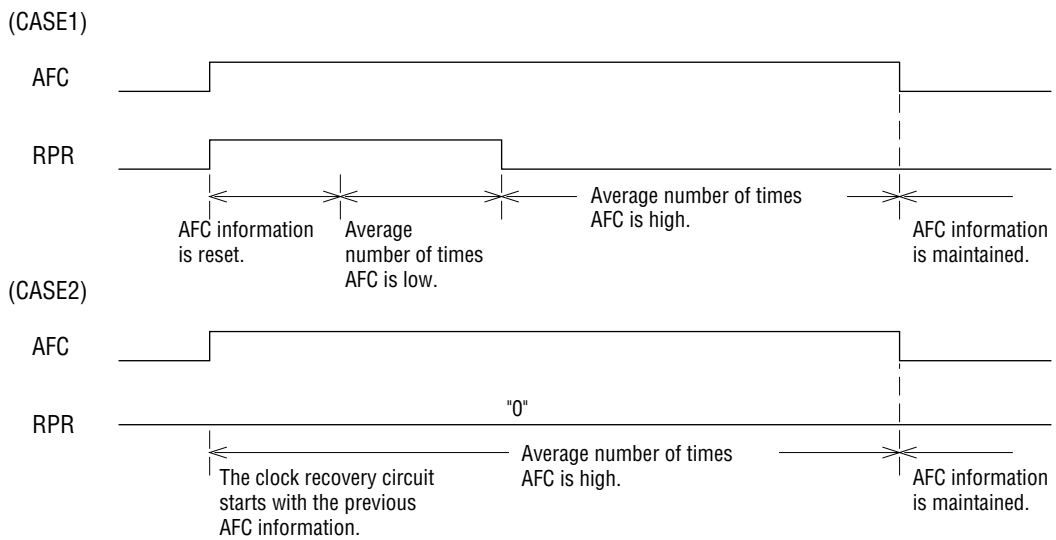


Figure 4 AFC Control Timing Diagram

DENM , EXCKM, DINM, DOUTM

Serial control ports for the microprocessor interface.

The device contains a 6-byte control register (CRM0 - 5). An external CPU uses these pins to read data from and write data to the control register. DENM is the "Enable" signal input pin. EXCKM is a data shift clock pulse input pin. DINM is an address and data input pin. DOUTM is a data output pin. Figure 5 shows input/output timing diagram.

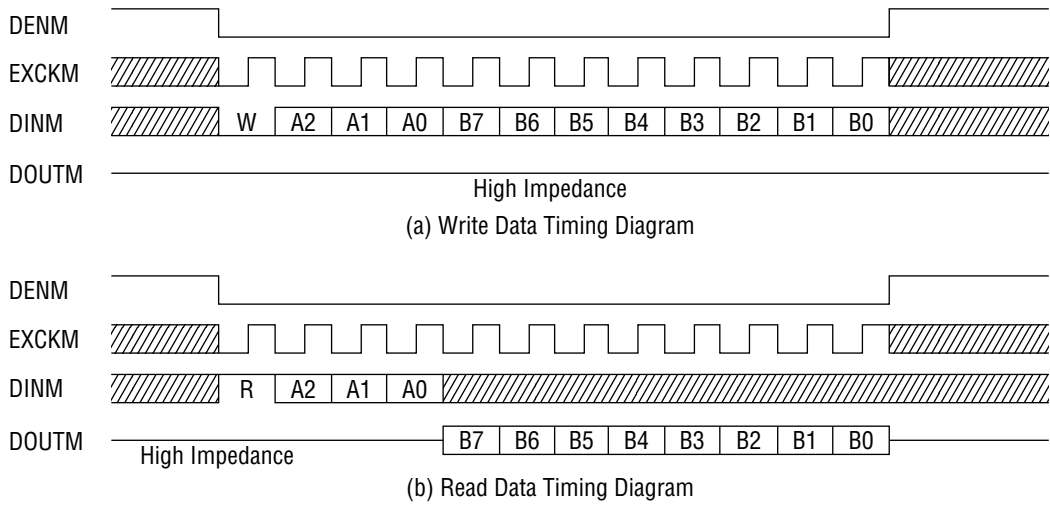


Figure 5 Modem Unit MCU Interface I/O Timing

The register map is shown below.

Table 2: Modem Unit Control Register (CRM0 to 5) Map

Register Name	Address			Data Description								R/W
	A2	A1	A0	B7	B6	B5	B4	B3	B2	B1	B0	
CRM0	0	0	0	—	TXC SEL	MOD OFF	IFSEL1	IFSEL0	—	TEST1	TEST0	R/W
CRM1	0	0	1	Ich GAIN3	Ich GAIN2	Ich GAIN1	Ich GAIN0	Qch GAIN3	Qch GAIN2	Qch GAIN1	Qch GAIN0	R/W
CRM2	0	1	0	R7	R6	R5	R4	—	—	—	—	R/W
CRM3	0	1	1	Ich Offset4	Ich Offset3	Ich Offset2	Ich Offset1	Ich Offset0	—	—	—	R/W
CRM4	1	0	0	Qch Offset4	Qch Offset3	Qch Offset2	Qch Offset1	Qch Offset0	—	—	—	R/W
CRM5	1	0	1	ICT5	ICT4	ICT3	ICT2	LOCAL INV1	LOCAL INV0	ICT1	ICT0	R/W

R/W: Read/Write enable R: Read-only register

R7, R6, R5, R4

These are the control register data output pins. These output the data CRM2 - B7, B6, B5, and B4, respectively.

(CODEC Unit)**AIN1+, AIN1-, AIN2, GSX1, GSX2**

The transmit analog input and the output for transmit gain adjustment.

The pin AIN1–(AIN2) connects to the inverting input of the internal transmit amplifier, and the pin AIN1+ connects to the non-inverting input of the internal transmit amplifier. The pin GSX1 (GSX2) connects to output of the internal transmit amplifier. See Fig. 6 for gain adjustment.

VFRO, AOUT+, AOUT-, PWI

Used for the receive analog output and the output for receive gain adjustment.

VFRO is an output of the receive filter. AOUT+ and AOUT– are differential analog signal outputs which can directly drive $Z_L = 350 \Omega + 120 \text{ nF}$ or the $1.2 \text{ k}\Omega$ load. See Fig. 6 for gain adjustment. However, these outputs are in high impedance state during power down.

SAO, AIN3, AIN4, GSX3, GSX4

Input pins for the internal operational amp.

Refer to Fig. 6 for connection information. However, these output pins are in the high impedance state during power down.

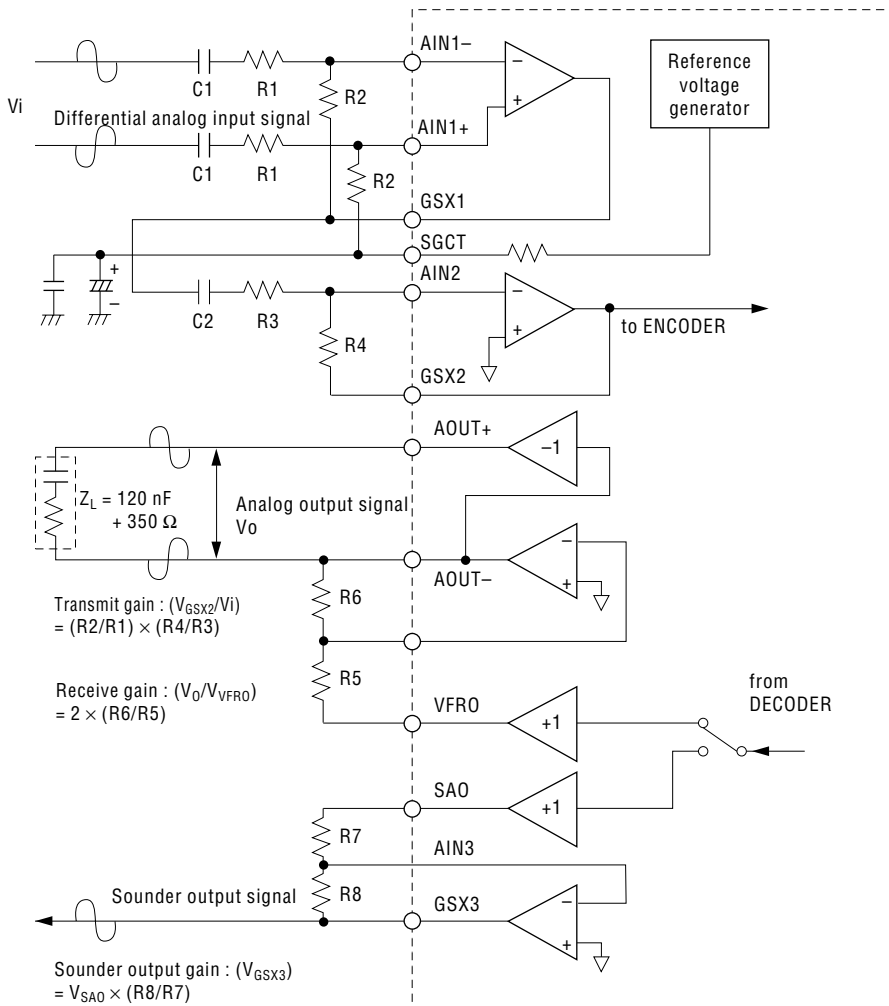


Figure 6 CODEC Unit Analog Interface

I01 to I07

I/O pins of the internal analog switch.

Refer to the control register description table (CRC5) and the block diagram for connection information and control methods.

TOUT1 to TOUT3

Sign bit output pins of the tone generator.

Output control of each pin is performed by the control register. Refer to the control register description table (CRC5) and the block diagram for connection information and control methods.

SGCT, SGCR

Output pins of the CODEC unit analog signal ground voltage.

SGCT outputs the analog signal ground voltage of the transmit system, and SGCR outputs the same for the receive system. The output voltage value is approximately 1.4 V. Connect 10 μ F and 0.1 μ F bypass capacitors (ceramic type) between these pins and the AGC pin. During power down, the output changes to 0 V. The external SG voltage if necessary should be used via a buffer.

VDDC, VDAC

CODEC unit +3 V power supply.

VDDC is supplied to the digital system power supply, and VDAC is supplied to the analog system power supply. VDDC and VDAC, and VDDM and VDAM must be connected as possible on the PC board.

DGC, AGC

CODEC unit ground.

DGC is the digital system ground pin, and AGC is the analog system ground pin. Since DGC and AGC are unconnected in the device, place them as close together as possible on the circuit board.

PDN3

CODEC unit power-down control input.

The CODEC unit changes to the power - down state when set to a digital "0." Since the power-down control is handled by an OR with control register CRC0 - B5, set CRC0 - B5 to digital "0" when using this pin.

RESET

Reset control input pin of the CODEC unit control register.

When set to digital "0," each bit of the control register is reset. During normal operation, set this pin to digital "1." A more than 200ns reset signal should be input.

PCMSO

Transmit PCM data output.

This PCM output signal is output from MSB synchronous with the rising edge of BCLK and XSYNC.

PCMSI

Transmit PCM data input.

This signal is converted to the ADPCM data. The PCM signal is shifted on the falling edge of BCLK. Normally, this pin is connected to PCMSO.

PCMRO

Receive PCM data output.

The PCM signal is the output signal after ADPCM decoder processing. This signal is serially output from the MSB synchronous with the rising edge of BCLK and RSYNC.

PCMRI

Receive PCM data input.

The PCM input signal is shifted on the falling edge of BCLK and input from MSB. Normally, this pin is connected to PCMRO.

IS

Transmit ADPCM signal output.

This signal is the output signal after ADPCM encoding, and is serially output from MSB synchronous with the rising edge of BCLK and XSYNC. This pin is an open drain output which remains in a high impedance state during power-down, and requires a pull-up resistor.

IR

Receive ADPCM signal input.

Input data is shifted serially from MSB on the falling edge of BCLK synchronous with RSYNC.

BCLK

Shift clock input for the PCM data (PCMSO, PCMSI, PCMRO, PCMRI) and the ADPCM data (IS, IR).

The frequency ranges from 64 kHz to 2048 kHz.

XSYNC

Transmit PCM and ADPCM data 8 kHz synchronous signal input.

This signal should be synchronous with BCLK. XSYNC is used for indicating MSB of the transmit serial PCM and ADPCM data stream.

RSYNC

Receive PCM and ADPCM data 8 kHz synchronous signal input.

This signal should be synchronous with BCLK signal. RSYNC is used for indicating MSB of the receive serial PCM and ADPCM data stream.

VOXO

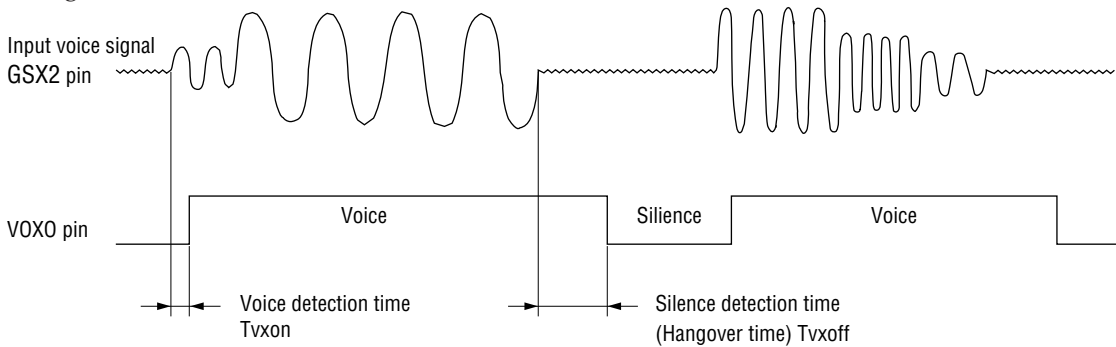
Transmit VOX function signal output.

VOX function is used to recognize the presence or absence of the transmit voice signal by detecting the signal energy. "H" and "L" levels on this pin correspond to the presence and the absence, respectively. This result also appears at the register data CRC7 - B7. The signal energy detect threshold is set by the control register data CRC6 - B6, B5.

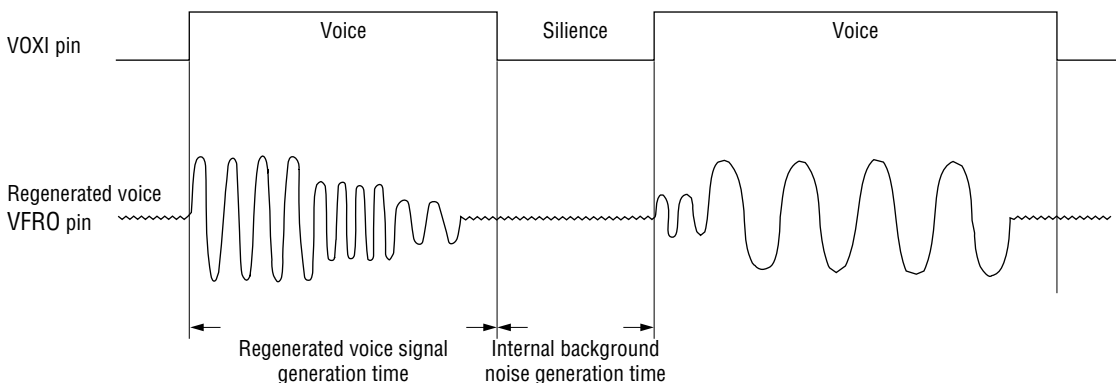
VOXI

Signal input for receive VOX function.

The "H" level on VOXI indicates the presence of voice signal, the decoder block processes normal receive signal, and the voice signal appears at analog output pins. The "L" level indicates the absence of voice signal, the background noise generated in this device is transferred to the analog output pins. The background noise amplitude is set by the control register CRC6. Because this signal is ORed with the register data CRC6 - B3, the control register data CRC6 - B3 should be set to digital "0".



(a) Transmission Side VOX Function Timing Diagram



(b) Receive Side VOX Function Timing Diagram

Note: The VOXO and VOXI pin function are enabled when CRC6 - B7 is set to "1".

Figure 7 VOX Function

DENC, EXCKC, DINC, DOUTC

Serial control ports for MCU interface.

Reading and writing data are performed by an external MCU through these pins. The 8-byte control registers (CRC0- 7) are provided for the CODEC unit in this device. DENC is the "Enable" control signal input, EXCKC is the data shift clock input, DINC is the address and data input, and DOUTC is the data output. Figure 8 shows input/output timing diagram.

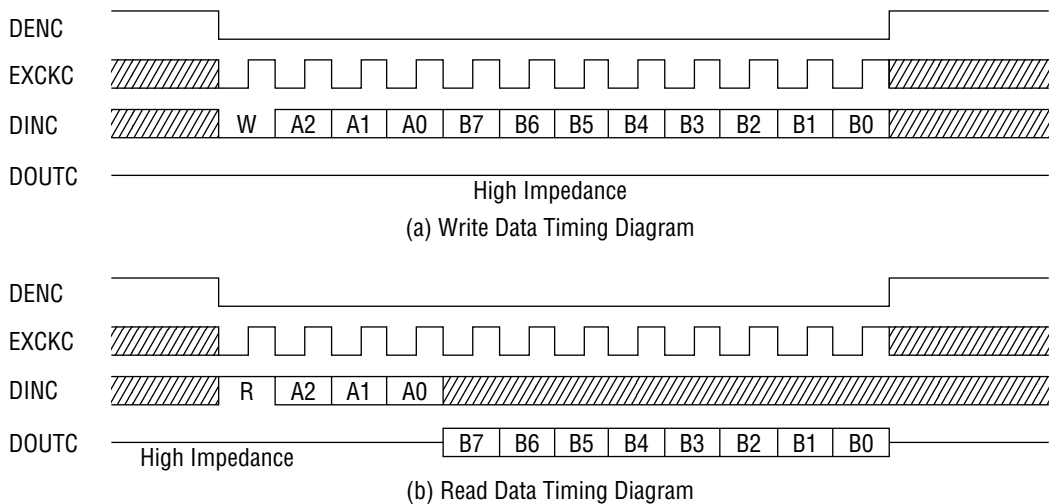


Figure 8 CODEC Unit MCU Interface I/O Timing

The register map is shown below.

Table 3: CODEC Unit Control Register (CRC0 to 7) Map

Register Name	Address			Data Description								R/W	
	A2	A1	A0	B7	B6	B5	B4	B3	B2	B1	B0		
CRC0	0	0	0	A/ μ SEL	—	PDN ALL	—	—	—	—	—	PDN SAO/AOUT	R/W
CRC1	0	0	1	MODE1	MODE0	TX RESET	RX RESET	TX MUTE	RX MUTE	—	—	RX PAD	R/W
CRC2	0	1	0	TX ON/OFF	TX GAIN2	TX GAIN1	TX GAIN0	RX ON/OFF	RX GAIN2	RX GAIN1	RX GAIN0	RX GAIN0	R/W
CRC3	0	1	1	Side Tone GAIN2	Side Tone GAIN1	Side Tone GAIN0	TONE ON/OFF	TONE GAIN3	TONE GAIN2	TONE GAIN1	TONE GAIN0	TONE GAIN0	R/W
CRC4	1	0	0	DTMF/OTHERS SEL	TONE SEND	SAO/VFRO	TONE4	TONE3	TONE2	TONE1	TONE0	TONE0	R/W
CRC5	1	0	1	SW1 CONT	SW2 CONT	SW3 CONT	SW4/5 CONT	—	TOUT3 CONT	TOUT2 CONT	TOUT1 CONT	TOUT1 CONT	R/W
CRC6	1	1	0	VOX ON/OFF	ON LVL1	ON LVLO	OFF TIME	VOX IN	RX NOISE LEVEL SEL	RX NOISE LVL1	RX NOISE LVL0	RX NOISE LVL0	R/W
CRC7	1	1	1	VOX OUT	TX NOISE LVL1	TX NOISE LVLO	—	—	—	—	—	—	R

R/W: Read/Write enable R: Read-only register

ABSOLUTE MAXIMUM RATINGS

Parameter	Symbol	Condition	Rating	Unit
Power Supply Voltage	V _{DD}	—	-0.3 to +5	V
Analog Input Voltage	V _{AIN}	—	-0.3 to V _{DD} + 0.3	V
Digital Input Voltage	V _{DIN}	—	-0.3 to V _{DD} + 0.3	V
Storage Temperature	T _{STG}	—	-55 to +150	°C

RECOMMENDED OPERATING CONDITIONS

(V_{DD} = 2.7 V to 3.6 V, Ta = -25°C to +70°C)

Parameter	Symbol	Conditon	Min.	Typ.	Max.	Unit		
Power Supply Voltage	V _{DD}	Voltage must be fixed	2.7	—	3.6	V		
Operating Temperature	Ta	—	-25	+25	+70	°C		
Input High Voltage	V _{IH}	Input pins fully digital	0.45 × V _{DD}	—	V _{DD}	V		
Input Low Voltage	V _{IL}	Input pins fully digital	0	—	0.16 × V _{DD}	V		
Digital Input Rise Time	t _{Ir}	Input pins fully digital	—	—	50	ns		
Digital Input Fall Time	t _{If}	Input pins fully digital	—	—	50	ns		
Digital Output Load	R _{DL}	IS (Pull-up resistance)	500	—	—	Ω		
	C _{DL}	Input pins fully digital	—	—	100	pF		
Bypass Capacitor for SG	C _{SG}	Between SGM and AGM, and between SGCT/R and AGC	10 + 0.1	—	—	μF		
Master Clock Frequency	F _{MCK}	MCK	-0.01%	19.2	+0.01%	MHz		
Master Clock Duty Ratio	D _{MCK}	MCK	40	50	60	%		
Modem Unit	Modulator Side Input Frequency	F _{TXC1}	TXCI (When CRM0 - B6 = "0")	—	384	—	kHz	
		F _{TXC2}	TXCI (When CRM0 - B6 = "1")	—	3.84	—	MHz	
	Demodulator Side Input Frequency	F _{IFCK1}	IFCK (When IFIN = 10.7 MHz)	—	19.0222	—	MHz	
		F _{IFCK2}	IFCK (When IFIN = 10.75 MHz)	—	19.1111	—	MHz	
	Clock Duty Ratio	D _{CKM}	IFCK, TXCI, EXCKM	40	50	60	%	
	IF Input Duty Ratio	D _{CIF}	IFIN	45	50	55	%	
	Transmit Sync Pulse Setting Time	t _{xSM} , t _{sXM}	TXCI↔TXW	Fig.9	200	—	—	ns
t _{sDM} , t _{dHM}		TXCI↔TXD	200		—	—	ns	
CODEC Unit	Bit Clock Frequency	F _{BCK}	BCLK	64	—	2048	kHz	
	Synchronous Signal Frequency	F _{SYNC}	XSYNC, RSYNC	—	8.0	—	kHz	
	Clock Duty Ratio	D _{CKC}	BCLK, EXCKC	40	50	60	%	
	Transmit Sync Pulse Setting Time	t _{xSC} , t _{sXC}	BCLK↔XSYNC	Fig.12	100	—	—	ns
	Receive Sync Pulse Setting Time	t _{rSC} , t _{sRC}	BCLK↔RSYNC		100	—	—	ns
	Synchronous Signal Width	t _{wSC}	XSYNC, RSYNC		1 BCLK	—	100	μs
	PCM, ADPCM Set-up Time	t _{DSC}	—		100	—	—	ns
PCM, ADPCM Hold Time	t _{DHC}	—	100	—	—	ns		

ELECTRICAL CHARACTERISTICS

DC Characteristics

($V_{DD} = 2.7\text{ V to }3.6\text{ V}$, $T_a = -25^\circ\text{C to }+70^\circ\text{C}$)

Parameter	Symbol	Condition	Min.	Typ.	Max.	Unit
Power Supply Current (Modem Unit) * When CODEC Unit is in a Power Down State	I _{DD1}	Mode A, Mode B (When $V_{DD} = 3.0\text{ V}$)	—	0.02	0.1	mA
	I _{DD2}	Mode C (When $V_{DD} = 3.0\text{ V}$)	—	5.5	11.0	mA
	I _{DD3}	Mode D (When $V_{DD} = 3.0\text{ V}$)	—	5.5	11.0	mA
	I _{DD4}	Mode E (When $V_{DD} = 3.0\text{ V}$)	—	11.5	23.0	mA
	I _{DD5}	Mode F (When $V_{DD} = 3.0\text{ V}$)	—	9.5	19.0	mA
	I _{DD6}	Mode G (When $V_{DD} = 3.0\text{ V}$)	—	14.0	28.0	mA
Power Supply Current (CODEC Unit)	I _{DD7}	When operating *	—	8.0	16.0	mA
	I _{DD8}	(When no signal, and $V_{DD} = 3.0\text{ V}$)	—	12.0	19.0	mA
* When Modem Unit is in a Power Down State	I _{DD9}	When powered down (When $V_{DD} = 3.0\text{ V}$)	—	0.02	0.1	mA
Input Leakage Current	I _{IH}	$V_I = V_{DD}$	—	—	2.0	μA
	I _{IL}	$V_I = 0\text{ V}$	—	—	0.5	μA
Output High Voltage	V _{OH}	I _{OH} = 0.4 mA	$0.5 \times V_{DD}$	—	V_{DD}	V
		I _{OH} = 1 μA	$0.8 \times V_{DD}$	—	V_{DD}	V
Output Low Voltage	V _{OL}	I _{OL} = -1.2 mA (IS pin is 500 Ω pull-up)	0	0.2	0.4	V
Output Leakage Current	I _O	IS pin	—	—	10	μA
Input Capacitance	C _{IN}	—	—	5	—	pF

* I_{DD7} applies when CRC0 - B0 = "0" and CRC4 - B5 = "0"; I_{DD8} applies when operating at other times.

Analog Interface Characteristics (Modem Unit)

(V_{DD} = 2.7 V to 3.6 V, Ta = -25°C to +70°C)

Parameter	Symbol	Condition	Min.	Typ.	Max.	Unit
Output Resistance Load	R _{LIQ}	I+, I-, Q+, Q-	10	—	—	kΩ
Output Capacitance Load	C _{LIQ}	I+, I-, Q+, Q-	—	—	20	pF
Output DC Voltage Level	V _{DCM}	I+, I-, Q+, Q- (TXW = 0)	1.55	1.6	1.65	V
Output AC Voltage Level	V _{ACM}	I+, I-, Q+, Q- (For TXD = 0 continuous input)	340	360	380	mV _{PP}
Offset Voltage Difference	V _{OFF}	Difference among I+, I-, Q+ and Q-	-20	—	+20	mV
Modulator D/A Conversion Sampling Frequency	F _{SDA}	—	—	1.92	—	MHz
Modulator D/A Conversion Offset Frequency	F _{CDA}	—	—	380	—	kHz
Output DC Voltage Adjustment Level Range	D _{CVL}	—	—	±45	—	mV
Output AC Voltage Adjustment Level Range	A _{CVL}	—	—	±4	—	%
Out-of-band Spectrum	P600	600 kHz detuning (continuous)	60	—	—	dB
	P900	900 kHz detuning (continuous)	65	—	—	dB
Modulation Accuracy	E _{VM}	—	—	1.0	3.0	% rms
Demodulator Side IF Input Level	I _{FV}	IFIN input level	0.4	—	V _{DD}	V _{PP}
IFIN Input Impedance	R _{IF}	DC impedance	—	20	—	kΩ
SGM Output Voltage	V _{SGM}	—	—	2.0	—	V
SGM Output Impedance	R _{SGM}	—	—	1.5	—	kΩ
Master Clock External Input Level	I _{X11}	X1 input level (When CRM5 – B1 = "0")	1.5	—	V _{DD}	V _{PP}
	I _{X12}	X1 input level (When CRM5 – B1 = "1")	0.7	—	V _{DD}	V _{PP}
X1 Input Impedance	R _{X1}	—	—	2.0	—	MΩ
X1 Input Capacitance	C _{X1}	—	—	10	—	pF

Digital Interface Characteristics (Modem Unit)

($V_{DD} = 2.7\text{ V to }3.6\text{ V}$, $T_a = -25^\circ\text{C to }+70^\circ\text{C}$)

Parameter	Symbol	Condition	Reference	Min.	Typ.	Max.	Unit
Transmit Digital I/O Setting Time	$t_{XDM1,2}$	C load = 50 pF	Fig. 9	0	—	200	ns
	$t_{XDM3,4}$			0	—	400	ns
Receive Digital I/O Setting Time	$t_{RDM1,2}$	C load = 50 pF	Fig. 10	0	—	200	ns
Serial Port Digital I/O Setting Time	t_{M1}	C load = 50 pF	Fig. 11	50	—	—	ns
	t_{M2}			50	—	—	ns
	t_{M3}			50	—	—	ns
	t_{M4}			50	—	—	ns
	t_{M5}			100	—	—	ns
	t_{M6}			50	—	—	ns
	t_{M7}			50	—	—	ns
	t_{M8}			0	—	100	ns
	t_{M9}			50	—	—	ns
	t_{M10}			50	—	—	ns
	t_{M11}			0	—	50	ns
	t_{M12}			200	—	—	ns
EXCK Clock Frequency	Feckm	EXCKM	—	—	—	10	MHz

Analog Interface Characteristics (CODEC Unit)

(V_{DD} = 2.7 V to 3.6 V, T_a = -25°C to +70°C)

Parameter	Symbol	Condition	Min.	Typ.	Max.	Unit
Input Resistance	R _{INC}	AIN+, AIN-, AIN2, PWI, AIN3, AIN4	10	—	—	MΩ
Output Resistance Load	R _{LC1}	GSX1, GSX2, VFRO, SAO	20	—	—	kΩ
	R _{LC2}	AOUT+, AOUT-, GSX4	1.2	—	—	kΩ
	R _{LC3}	GSX3	150	—	—	Ω
Output Capacitance Load	C _{LC1}	GSX1, GSX2, VFRO, SAO	—	—	100	pF
	C _{LC2}	AOUT+, AOUT-, GSX4	—	—	100	pF
	C _{LC3}	GSX3	—	—	100	pF
Output Voltage Level (*1)	V _{OC1}	GSX1, GSX2, VFRO, SAO (RL = 20 kΩ)	—	—	1.3	V _{PP}
	V _{OC2}	AOUT+, AOUT-, GSX4 (RL = 1.2 kΩ)	—	—	1.3	V _{PP}
	V _{OC3}	GSX3 (RL = 150 Ω)	—	—	1.3	V _{PP}
Offset Voltage	V _{OF1}	VFRO, SAO	-100	—	+100	mV
	V _{OF2}	GSX1, GSX2, AOUT+, AOUT-, GSX3, GSX4	-20	—	+20	mV
SGCT, SGCR Output Voltage	V _{SGC}	SGCT, SGCR	—	1.4	—	V
SGCT Output Impedance	R _{SGCT}	SGCT	—	40	80	kΩ
SGCR Output Impedance	R _{SGCR}	SGCR	—	4	8	kΩ
SGCT Rise Time	T _{SGCT}	For the Recommended Circuit (Rise time to 90% of max. level)	—	600	—	ms
SGCR Rise Time	T _{SGCR}	For the Recommended Circuit (Rise time to 90% of max. level)	—	15	—	ms
Analog Switch OFF Resistance	R _{SWof}	SW1 to SW5	50	—	—	MΩ
Analog Switch ON Resistance	R _{SWon}	SW1 to SW5	100	—	400	Ω

Note : *1 -7.7 dBm (600 Ω) = 0 dBm₀, +3.14 dBm₀ = 1.30 V_{PP} (A-law)
 -7.7 dBm (600 Ω) = 0 dBm₀, +3.17 dBm₀ = 1.30 V_{PP} (μ-law)

Digital Interface Characteristics (CODEC Unit)

(V_{DD} = 2.7 V to 3.6 V, Ta = -25°C to +70°C)

Parameter	Symbol	Condition	Reference	Min.	Typ.	Max.	Unit
Digital Output Delay Time PCM, ADPCM Interface	t _{SDXC} , t _{SDRC}	1 LSTTL + 100 pF pull-up : 500 Ω Items in parenthesis () mean C load = 10 pF, and the pull-up ≤ 2 kΩ	Fig. 12	0	—	200 (100)	ns
	t _{XDC1} , t _{RDC1}			0	—	200 (100)	ns
	t _{XDC2} , t _{RDC2}			0	—	200 (100)	ns
	t _{XDC3} , t _{RDC3}			0	—	200 (100)	ns
Serial Port Digital I/O Timing Characteristics	t _{C1}	C load = 50 pF	Fig. 13	50	—	—	ns
	t _{C2}			50	—	—	ns
	t _{C3}			50	—	—	ns
	t _{C4}			50	—	—	ns
	t _{C5}			100	—	—	ns
	t _{C6}			50	—	—	ns
	t _{C7}			50	—	—	ns
	t _{C8}			0	—	100	ns
	t _{C9}			50	—	—	ns
	t _{C10}			50	—	—	ns
	t _{C11}			0	—	50	ns
	t _{C12}			200	—	—	ns
EXCK Clock Frequency	Feckc	EXCKC	—	—	—	10	MHz

AC Characteristics (CODEC Unit)

(V_{DD} = 2.7 V to 3.6 V, Ta = -25°C to +70°C)

Parameter	Symbol	Condition		Min.	Typ.	Max.	Unit
		Frequency (Hz)	Level dBm0				
Transmit Frequency Response	L _{oss} T1	0 to 60	0	25	—	—	dB
	L _{oss} T2	300 to 3 k		-0.15	—	+0.20	dB
	L _{oss} T3	1020		Reference			dB
	L _{oss} T4	3300		-0.15	—	+0.80	dB
	L _{oss} T5	3400		0	—	0.80	dB
	L _{oss} T6	3968.75		13	—	—	dB
Receive Frequency Response	L _{oss} R1	0 to 3000	0	-0.15	—	+0.20	dB
	L _{oss} R2	1020		Reference			dB
	L _{oss} R3	3300		-0.15	—	+0.80	dB
	L _{oss} R4	3400		0	—	0.80	dB
	L _{oss} R5	3968.75		13	—	—	dB
Transmit Signal to Distortion Ratio (*2)	SD T1	1020	3	35	—	—	dB
	SD T2		0	35	—	—	dB
	SD T3		-30	35	—	—	dB
	SD T4		-40	28	—	—	dB
	SD T5		-45	23	—	—	dB
Receive Signal to Distortion Ratio (*2)	SD R1	1020	3	35	—	—	dB
	SD R2		0	35	—	—	dB
	SD R3		-30	35	—	—	dB
	SD R4		-40	28	—	—	dB
	SD R5		-45	23	—	—	dB
Transmit Gain Tracking	GT T1	1020	3	-0.2	—	+0.2	dB
	GT T2		-10	Reference			dB
	GT T3		-40	-0.2	—	+0.2	dB
	GT T4		-50	-0.5	—	+0.5	dB
	GT T5		-55	-1.2	—	+1.2	dB
Receive Gain Tracking	GT R1	1020	3	-0.2	—	+0.2	dB
	GT R2		-10	Reference			dB
	GT R3		-40	-0.2	—	+0.2	dB
	GT R4		-50	-0.5	—	+0.5	dB
	GT R5		-55	-1.2	—	+1.2	dB

Note: *2 P-message filter used

AC Characteristics (CODEC Unit)

(V_{DD} = 2.7 V to 3.6 V, Ta = -25°C to +70°C)

Parameter	Symbol	Condition			Min.	Typ.	Max.	Unit
		Frequency (Hz)	Level dBm0	Other				
Idle Channel Noise (*2)	N _{IDLT}	—	AIN = SG	—	—	—	-68 (-75.7)	dBm0p (dBmp)
	N _{IDLR}	—	(*3)	—	—	—	-72 (-79.7)	
Absolute Level (*4)	A _{VT}	1020	0	GSX2	0.285	0.320	0.359	Vrms
	A _{VR}			VFR0	0.285	0.320	0.359	Vrms
Power Supply Noise Rejection Ratio	P _{SRRT}	Noise frequency:	Noise level:	—	30	—	—	dB
	P _{SRRR}	0 kHz to 50 kHz	50 mVpp	—	30	—	—	dB

Notes: *2 P-message filter used

*3 PCMRI input: "11010101" (A-law), "11111111" (μ-law)

*4 0.320 Vrms = 0 dBm0 = -7.7 dBm (600 W)

ADPCM unit characteristics are fully compliant with ITU-T Recommendation G.726.

AC Characteristics (DTMF and Other Tones)

(V_{DD} = 2.7 V to 3.6 V, Ta = -25°C to +70°C)

Parameter	Symbol	Condition		Min.	Typ.	Max.	Unit
Frequency Deviation	D _{FT1}	DTMF tones		-7	—	+7	Hz
	D _{FT2}	Other various tones		-7	—	+7	Hz
Tone Reference Output Level (*5)	V _{TL}	Transmit side tone	DTMF (low group)	-18	-16	-14	dBm0
	V _{TH}	(Gain setting 0dB)	DTMF (high group), other	-16	-14	-12	dBm0
	V _{RL}	Receive side tone (Tone generator gain setting -6dB)	DTMF (low group)	-10	-8	-6	dBm0
	V _{RH}		DTMF (high group), other	-8	-6	-4	dBm0
DTMF Tone Level Relative Value	R _{DTMF}	V _{TH} /V _{TL} , V _{RH} /V _{RL}		1	2	3	dB

Note: *5 Not including programmable gain set values

AC Characteristics (Gain Settings)

(V_{DD} = 2.7 V to 3.6 V, Ta = -25°C to +70°C)

Parameter	Symbol	Condition	Min.	Typ.	Max.	Unit
Transmit/Receive Gain Setting Accuracy	D _G	For all gain set values	-1	0	+1	dB

AC Characteristics (VOX Function)

(V_{DD} = 2.7 V to 3.6 V, Ta = -25°C to +70°C)

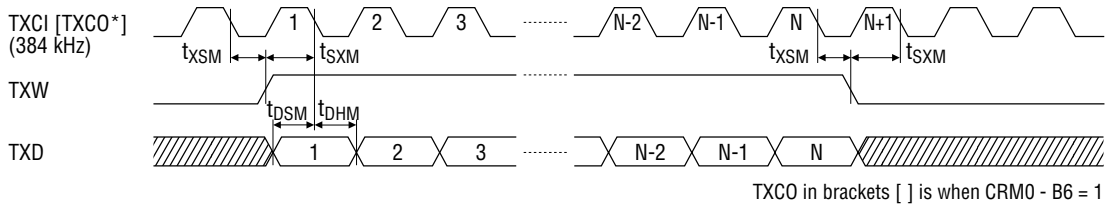
Parameter	Symbol	Condition		Min.	Typ.	Max.	Unit
Transmit VOX Detection Time (Voice and Silence Test Time)	T _{VXON}	Silence→voice	VOX0 pin: See Fig. 7	—	10 ⁶	—	ms
	T _{VXOF}	Voice→silence	Voice/silence differential: 10 dB	140/300	160/320	180/340	ms
Transmit VOX Detection Level Accuracy (Voice Detection Level)	D _{VX}	For detection level set values by CRM6 - B6, B5		-2.5	0	+2.5	dB

Note: *6 When single tone is input at 1000Hz

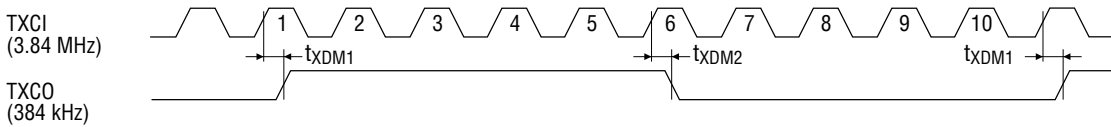
TIMING DIAGRAM

(Modem Unit)

Transmit Data Input Timing



Transmit Clock (TXCO) Timing (When CRM0 - B6 = 1)



Transmit Burst Position (BSTO) Output Timing (When CRM0 - B6 = 0)

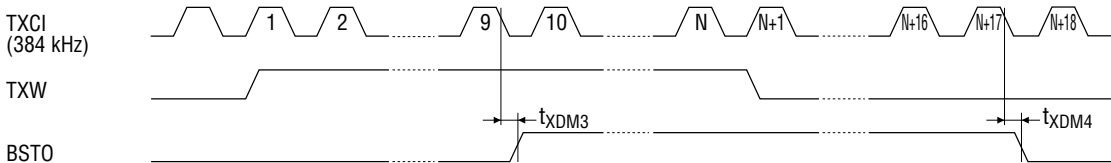


Figure 9 Modem Unit Transmit Side (Modulator Side) Digital I/O Timing

Receive Side Data I/O Timing

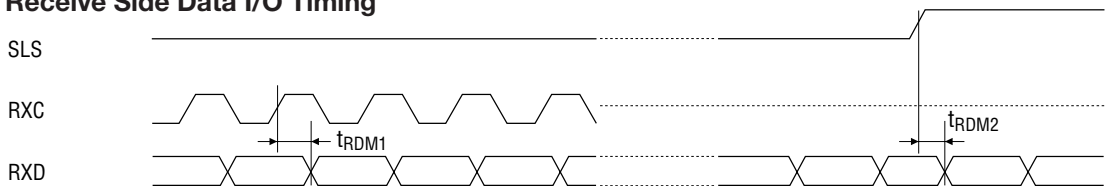


Figure 10 Modem Unit Receive Side (Demodulator Side) Digital I/O Timing

Serial Port Timing for Microcontroller Interface

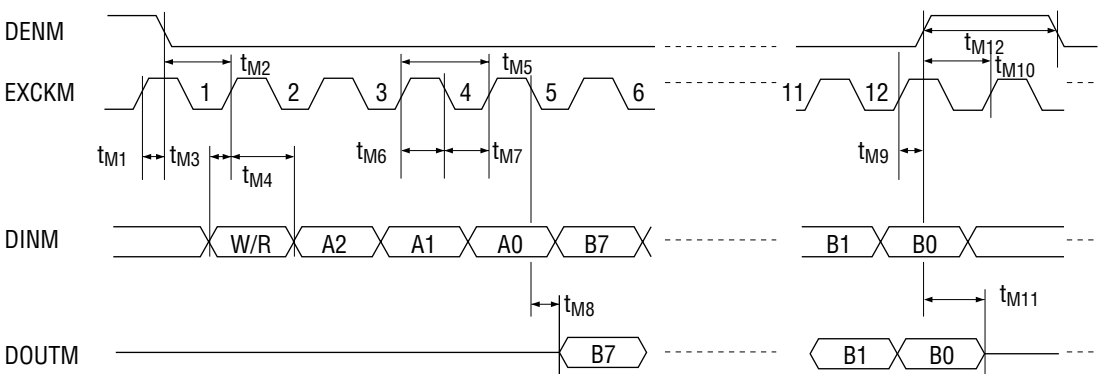
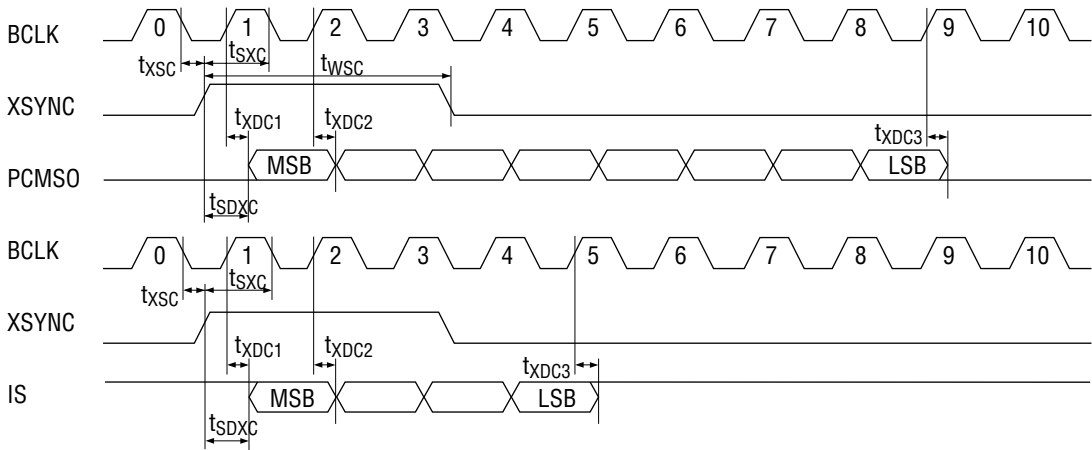


Figure 11 Modem Unit Serial Control Port Interface

(CODEC Unit)

Transmit Side PCM, ADPCM Timing



Receive Side PCM, ADPCM Timing

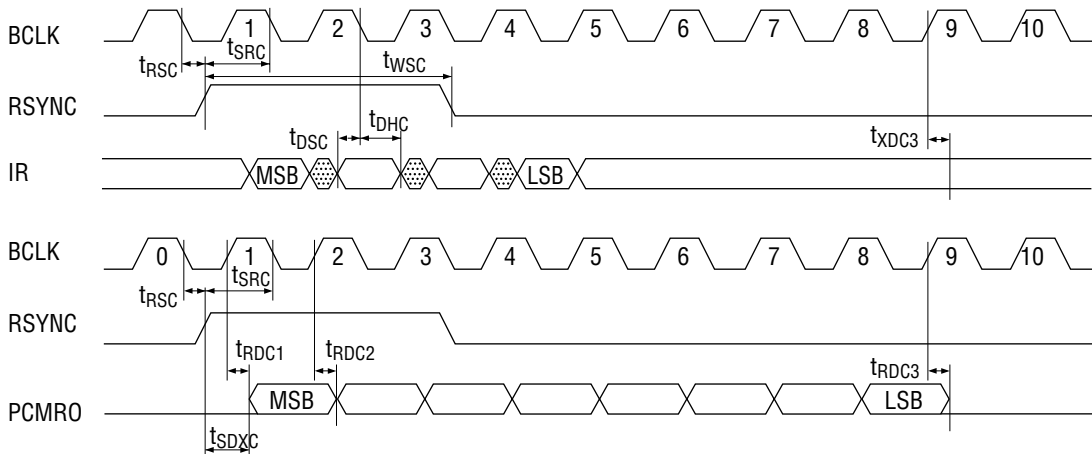


Figure 12 CODEC Unit PCM, ADPCM Interface

Serial Port Timing for Microcontroller Interface

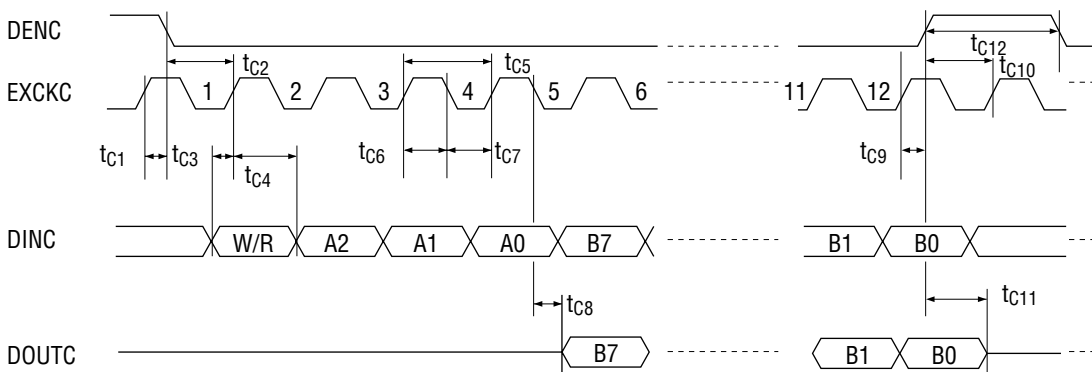


Figure 13 CODEC Unit Serial Control Port Interface

Modem Unit Mode State Transition Time

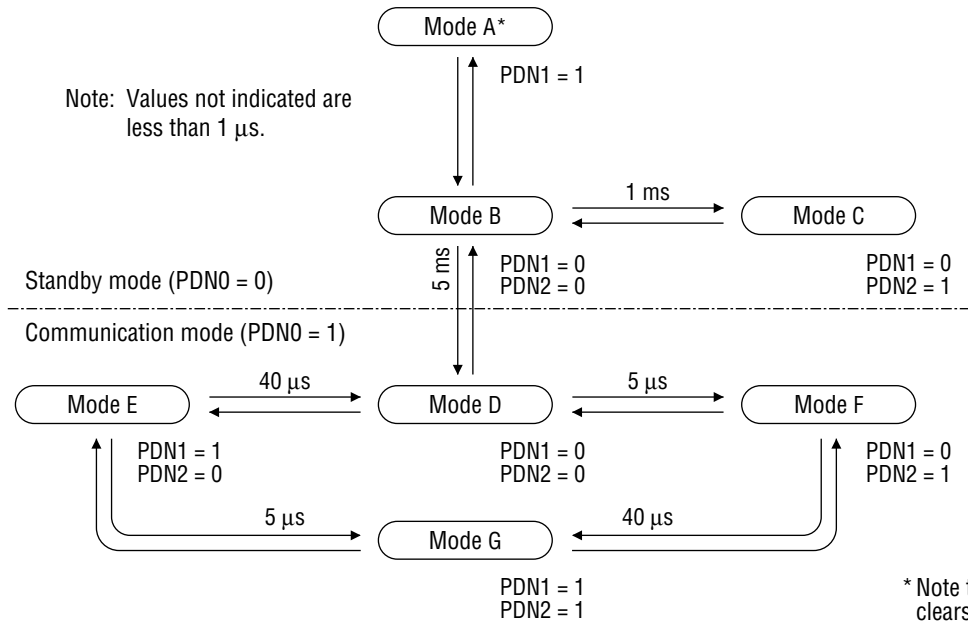


Figure 14 Modem Unit Power Down State Transition Time

Modem Unit Demodulator Control Timing Diagram (Example)

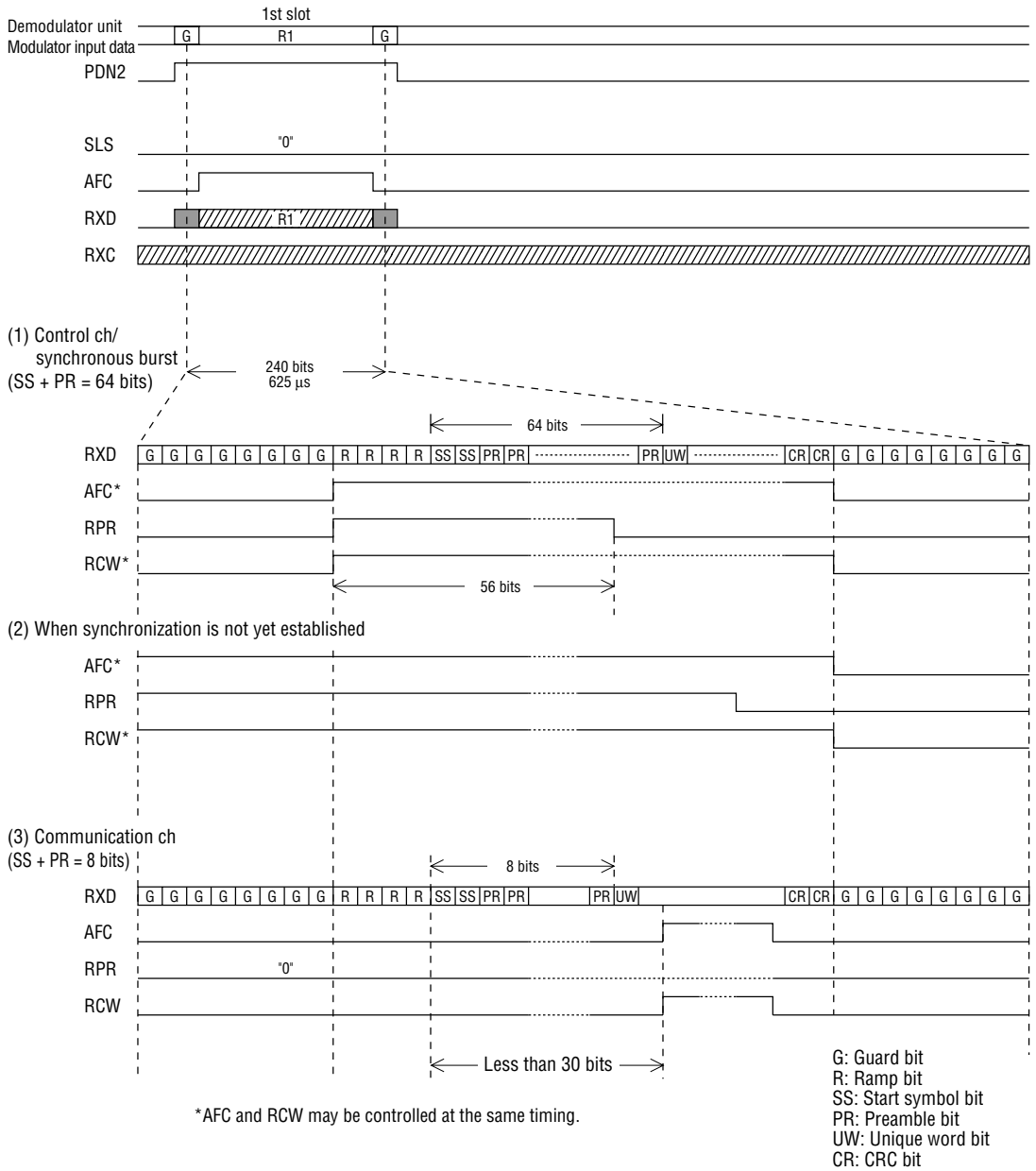


Figure 15 Modem Unit Demodulator Timing Diagram Example

FUNCTIONAL DESCRIPTION

**Control Register Description Table
(Modem Unit)**

(1) CRM0 (Basic Operation Mode Setting)

	B7	B6	B5	B4	B3	B2	B1	B0
CRM0	—	TXC SEL	MOD OFF	IFSEL1	IFSEL0	—	TEST1	TEST0
Initial Value (Note)	0	0	0	0	0	0	0	0

Note: The initial value is the value set when a reset is applied by the $\overline{\text{RESET}}$ pin.

B7, B2: Not used

B6: Transmission timing clock selection

0: TXCI input: 384 kHz TXCO output: APLL 384 kHz output

Transmission data TXD is input synchronized to the rise of TXCI. APLL is ON.

1: TXCI input: 3.84 MHz TXCO output: 384 kHz (TXCI divided by 10)

Transmission data TXD is input synchronized to the rise of TXCO. APLL is OFF.

B5: Modulation OFF/ON control

0: Modulation ON 1: Modulation OFF

B4, B3: Receive side input IF frequency selection

(0,0), (0,1): 1.2 MHz

(1,0): 10.8 MHz

(1,1): 10.7 MHz/10.75 MHz

B1, B0: Device test control bit

Since it is used for LSI testing, it is normally set to "0."

(2) CRM1 (I and Q Gain Adjustment)

	B7	B6	B5	B4	B3	B2	B1	B0
CRM1	Ich GAIN3	Ich GAIN2	Ich GAIN1	Ich GAIN0	Qch GAIN3	Qch GAIN2	Qch GAIN1	Qch GAIN0
Initial Value	0	0	0	0	0	0	0	0

B7 to B4:I+ and I- output gain setting: 3 mV steps (refer to Table 4)

B3 to B0:Q+ and Q- output gain setting: 3 mV steps (refer to Table 4)

Table 4: I and Q Gain Setting Table

CRM1 - B7	B6	B5	B4	Description
CRM1 - B3	B2	B1	B0	
0	1	1	1	Amplitude value: 1.042 reference value
0	1	1	0	1.036
0	1	0	1	1.030
0	1	0	0	1.024
0	0	1	1	1.018
0	0	1	0	1.012
0	0	0	1	1.006
0	0	0	0	1.000 (Reference value)
1	1	1	1	0.994
1	1	1	0	0.988
1	1	0	1	0.982
1	1	0	0	0.976
1	0	1	1	0.970
1	0	1	0	0.964
1	0	0	1	0.958
1	0	0	0	0.952

(3) CRM2 (Output to R7 to R4 pins)

	B7	B6	B5	B4	B3	B2	B1	B0
CRM2	R7	R6	R5	R4	—	—	—	—
Initial Value	0	0	0	0	0	0	0	0

B7 to B4:Output to R7 to R4 pin

(4) CRM3 (I- Output Offset Voltage Adjustment)

	B7	B6	B5	B4	B3	B2	B1	B0
CRM3	Ich Offset4	Ich Offset3	Ich Offset2	Ich Offset1	Ich Offset0	—	—	—
Initial Value	0	0	0	0	0	0	0	0

B7 to B3:I- output pin offset voltage adjustment (refer to Table 5)
 B2 to B0:Not used

(5) CRM4 (Q- Output Offset Voltage Adjustment)

	B7	B6	B5	B4	B3	B2	B1	B0
CRM4	Qch Offset4	Qch Offset3	Qch Offset2	Qch Offset1	Qch Offset0	—	—	—
Initial Value	0	0	0	0	0	0	0	0

B7 to B3:Q- output pin offset voltage adjustment (refer to Table 5)
 B2 to B0:Not used

Table 5: Ich and Qch Offset Adjustment Values

CRM3 - B7	B6	B5	B4	B3	Offset Voltage	CRM3 - B7	B6	B5	B4	B3	Offset Voltage
CRM4 - B7	B6	B5	B4	B3		CRM4 - B7	B6	B5	B4	B3	
0	1	1	1	1	+45 mV	1	1	1	1	1	-3 mV
0	1	1	1	0	+42 mV	1	1	1	1	0	-6 mV
0	1	1	0	1	+39 mV	1	1	1	0	1	-9 mV
0	1	1	0	0	+36 mV	1	1	1	0	0	-12 mV
0	1	0	1	1	+33 mV	1	1	0	1	1	-15 mV
0	1	0	1	0	+30 mV	1	1	0	1	0	-18 mV
0	1	0	0	1	+27 mV	1	1	0	0	1	-21 mV
0	1	0	0	0	+24 mV	1	1	0	0	0	-24 mV
0	0	1	1	1	+21 mV	1	0	1	1	1	-27 mV
0	0	1	1	0	+18 mV	1	0	1	1	0	-30 mV
0	0	1	0	1	+15 mV	1	0	1	0	1	-33 mV
0	0	1	0	0	+12 mV	1	0	1	0	0	-36 mV
0	0	0	1	1	+9 mV	1	0	0	1	1	-39 mV
0	0	0	1	0	+6 mV	1	0	0	1	0	-42 mV
0	0	0	0	1	+3 mV	1	0	0	0	1	-45 mV
0	0	0	0	0	0 mV	1	0	0	0	0	-48 mV

(6) CRM5 (IC Test)

	B7	B6	B5	B4	B3	B2	B1	B0
CRM5	ICT5	ICT4	ICT3	ICT2	LOCAL INV1	LOCAL INV0	ICT1	ICT0
Initial Value	0	0	0	0	0	0	0	0

- Note:
- B7 to B4: LSI test control bit
 - Since B7 to B4 of CRM5 are used for LSI testing, they should normally be set to "0".
 - B3, B2: Local inverted mode setting bit
 (Use if the phase of the demodulator side IF input is inverted due to the system configuration.)
 (0,0): Normal mode(1,1): Local inverted mode
 - B1: Waveform shaping mode switching bit of the oscillator circuit unit clock
 (When using a master clock external input, increase the X1 pin input sensitivity.)
 0: Normal mode 1: Clock waveform shaping mode
 - B0: Oscillator circuit unit power on control bit
 0: Normal mode 1: Oscillator circuit unit is always powered on

(CODEC Unit)

(1) CRC0 (Basic Operation Mode Settings)

	B7	B6	B5	B4	B3	B2	B1	B0
CRC0	A/ μ SEL	—	PDN ALL	—	—	—	—	PDN SAO/AOUT
Initial Value	0	0	0	0	0	0	0	0

- B7: PCM interface companding selection 0: μ -law 1: A-law
- B6, B4, B3, B2, B1: . Not used (These pins are used to test the device. They should be set to "0" during normal operation.)
- B5: Power down (entire unit) 0: Power ON 1: Power down ORed with the inverse of the external power down signal. When using this data, set $\overline{\text{PDN3}}$ to "1."
- B0: The sounder output amp (SAO, GSX3) and receiver system output amp (VFRO, AOUT+, AOUT-) power down control
 0: The output amp of the side not selected by CRC4 - B5 is powered down.
 1: The sounder system output amp and receiver system output amp are both powered ON.

(2) CRC1 (ADPCM Unit Operation Mode Settings)

	B7	B6	B5	B4	B3	B2	B1	B0
CRC1	MODE1	MODE0	TX RESET	RX RESET	TX MUTE	RX MUTE	—	RX PAD
Initial Value	0	0	0	0	0	0	0	0

- B7, B6:ADPCM unit compression algorithm selection
 (0,0): 32 kbps (0,1): 64 kbps (G.711 through)
 (1,0): 24 kbps (1,1): 16 kbps
- B5: Transmit side ADPCM reset (according to the G.726 specifications): 1: Reset
 The ADPCM reset input width should be 125 μ s or more.
- B4: Receive side ADPCM reset (according to the G.726 specifications): 1: Reset
 The ADPCM reset input width should be 125 μ s or more.
- B3: Transmit side ADPCM data mute: 1: Mute
- B2: Receive side ADPCM data mute: 1: Mute
- B1: Not used
- B0: Receive side PAD 0: No PAD
 1: A PAD with a 12 dB loss is inserted in the receive side voice path

(3) CRC2 (PCM CODEC Unit Operation Mode Settings and Transmit/Receive Gain Adjustment)

	B7	B6	B5	B4	B3	B2	B1	B0
CRC2	TX ON/OFF	TX GAIN2	TX GAIN1	TX GAIN0	RX ON/OFF	RX GAIN2	RX GAIN1	RX GAIN0
Initial Value	0	0	1	1	0	0	1	1

B7: Transmit side PCM signal ON/OFF 0: ON 1: OFF
 When OFF, transmits a PCM idle pattern.
 B6, B5, B4: Transmit side signal gain adjustment (refer to Table 6)
 B3: Receive side PCM signal ON/OFF 0: ON 1: OFF
 When OFF transmits a PCM idle pattern.
 B2, B1, B0: . Receive side signal gain adjustment (refer to Table 6)

Table 6: Receive/Transmit Gain Settings

• MSM7586-01

B6	B5	B4	Transmit Side Gain	B2	B1	B0	Receive Side Gain
0	0	0	-6 dB	0	0	0	-6 dB
0	0	1	-4 dB	0	0	1	-4 dB
0	1	0	-2 dB	0	1	0	-2 dB
0	1	1	0 dB	0	1	1	0 dB
1	0	0	+2 dB	1	0	0	+2 dB
1	0	1	+4 dB	1	0	1	+4 dB
1	1	0	+6 dB	1	1	0	+6 dB
1	1	1	+8 dB	1	1	1	+8 dB

• MSM7586-03

B6	B5	B4	Transmit Side Gain	B2	B1	B0	Receive Side Gain
0	0	0	-6 dB	0	0	0	-12 dB
0	0	1	-4 dB	0	0	1	-9 dB
0	1	0	-2 dB	0	1	0	-6 dB
0	1	1	0 dB	0	1	1	-3 dB
1	0	0	+2 dB	1	0	0	0 dB
1	0	1	+4 dB	1	0	1	+3 dB
1	1	0	+6 dB	1	1	0	+6 dB
1	1	1	+8 dB	1	1	1	+9 dB

The above gain settings table shows the transmit/receive voice signal gain settings and the transmit side gain settings for DTMF tones and other tones. Tone signal transmission is enabled by CRC4 - B6 (discussed later), and the gain setting is set to the levels shown below.

DTMF tones (low group): -16 dBm0

DTMF tones (high group) and other tones: ... -14 dBm0

For example, if the transmit gain set value is set to +8 dB (B6, B5, B4) = (1, 1, 1), then the following tones appear at the PCMSO pin.

DTMF tones (low group): -8 dBm0

DTMF tones (high group) and other tones: ... -6 dBm0

However, the gain of the receive side tone and the gain of the side tones (path from transmit side to receive side) are set by the CRC3 register.

(4) CRC3 (Side Tone and Tone Generator Gain Adjustment)

	B7	B6	B5	B4	B3	B2	B1	B0
CRC3	Side Tone GAIN2	Side Tone GAIN1	Side Tone GAIN0	TONE ON/OFF	TONE GAIN3	TONE GAIN2	TONE GAIN1	TONE GAIN0
Initial Value	0	0	0	0	0	0	0	0

B7, B6, B5: Side tone gain adjustment (refer to Table 7)

B4: Tone generator ON/OFF 0: OFF 1: ON

B3, B2, B1, B0: . Tone generator Receive side gain adjustment (refer to Table 8)

Table 7: Side Tone Gain Settings

• MSM7586-01

B7	B6	B5	Side Tone Gain
0	0	0	OFF
0	0	1	-21 dB
0	1	0	-19 dB
0	1	1	-17 dB
1	0	0	-15 dB
1	0	1	-13 dB
1	1	0	-11 dB
1	1	1	- 9 dB

• MSM7586-03

B7	B6	B5	Side Tone Gain
0	0	0	OFF
0	0	1	-15 dB
0	1	0	-13 dB
0	1	1	-11 dB
1	0	0	- 9 dB
1	0	1	- 7 dB
1	1	0	- 5 dB
1	1	1	- 3 dB

Table 8: Receive Side Tone Generator Gain Settings

• MSM7586-01

B3	B2	B1	B0	Tone Generator Gain	B3	B2	B1	B0	Tone Generator Gain
0	0	0	0	-36 dB	1	0	0	0	-20 dB
0	0	0	1	-34 dB	1	0	0	1	-18 dB
0	0	1	0	-32 dB	1	0	1	0	-16 dB
0	0	1	1	-30 dB	1	0	1	1	-14 dB
0	1	0	0	-28 dB	1	1	0	0	-12 dB
0	1	0	1	-26 dB	1	1	0	1	-10 dB
0	1	1	0	-24 dB	1	1	1	0	- 8 dB
1	1	1	1	-22 dB	1	1	1	1	- 6 dB

• MSM7586-03

B3	B2	B1	B0	Tone Generator Gain	B3	B2	B1	B0	Tone Generator Gain
0	0	0	0	OFF	1	0	0	0	-20 dB
0	0	0	1	-34 dB	1	0	0	1	-18 dB
0	0	1	0	-32 dB	1	0	1	0	-16 dB
0	0	1	1	-30 dB	1	0	1	1	-14 dB
0	1	0	0	-28 dB	1	1	0	0	-12 dB
0	1	0	1	-26 dB	1	1	0	1	-10 dB
0	1	1	0	-24 dB	1	1	1	0	- 8 dB
1	1	1	1	-22 dB	1	1	1	1	- 6 dB

The receive side tone generator gain settings shown in Table 8 are set with the following levels as a reference.

DTMF tones (low group): -2 dBm0

DTMF tones (high group) and other tones: ... 0 dBm0

For example, if the tone generator gain set value is set to -6 dB (B3, B2, B1, B0)=(1, 1, 1, 1), then tones at the following levels appear at the SAO or VFRO pin.

DTMF tones (low group): -8 dBm0

DTMF tones (high group) and other tones: ... -6 dBm0

(5) CRC4 (Tone Generator Operation Mode and Frequency Settings)

	B7	B6	B5	B4	B3	B2	B1	B0
CRC4	DTMF/OT HERS SEL	TONE SEND	SAO/ VFRO	TONE4	TONE3	TONE2	TONE1	TONE0
Initial Value	0	0	0	0	0	0	0	0

- B7:..... Selection of DTMF signal and other tones
(S tone, F tone, R tone, etc.) 0: Other tones 1: DTMF tones
- B6:..... Transmission side tone transmit
0: Voice signal transmit 1: Tone transmit
- B5:..... Receive side tone output pin selection
0: VFRO output 1: SAO output
- B4, B3, B2, B1, B0: . Tone frequency setting (refer to Table 9)

Table 9: Tone Generator Frequency Settings

(a) When B7 = 1 (DTMF Tones)

B4	B3	B2	B1	B0	Description	B4	B3	B2	B1	B0	Description
*	0	0	0	0	697 Hz + 1209 Hz	*	1	0	0	0	852 Hz + 1209 Hz
*	0	0	0	1	697 Hz + 1336 Hz	*	1	0	0	1	852 Hz + 1336 Hz
*	0	0	1	0	697 Hz + 1477 Hz	*	1	0	1	0	852 Hz + 1477 Hz
*	0	0	1	1	697 Hz + 1633 Hz	*	1	0	1	1	852 Hz + 1633 Hz
*	0	1	0	0	770 Hz + 1209 Hz	*	1	1	0	0	941 Hz + 1209 Hz
*	0	1	0	1	770 Hz + 1336 Hz	*	1	1	0	1	941 Hz + 1336 Hz
*	0	1	1	0	770 Hz + 1477 Hz	*	1	1	1	0	941 Hz + 1477 Hz
*	0	1	1	1	770 Hz + 1633 Hz	*	1	1	1	1	941 Hz + 1633 Hz

(b) When B7 = 0 (Outside of DTMF Tones)

B4	B3	B2	B1	B0	Description	B4	B3	B2	B1	B0	Description
0	0	0	0	0	2730 Hz/2500 Hz 8 Hz Wamble	1	0	0	0	0	—
0	0	0	0	1	2000 Hz/2667 Hz 8 Hz Wamble	1	0	0	0	1	1300 Hz Single tone
0	0	0	1	0	1000 Hz/1333 Hz 8 Hz Wamble	1	0	0	1	0	1333 Hz Single tone
0	0	0	1	1	—	1	0	0	1	1	—
0	0	1	0	0	—	1	0	1	0	0	—
0	0	1	0	1	—	1	0	1	0	1	2000 Hz Single tone
0	0	1	1	0	—	1	0	1	1	0	—
0	0	1	1	1	—	1	0	1	1	1	—
0	1	0	0	0	—	1	1	0	0	0	—
0	1	0	0	1	400 Hz Single tone	1	1	0	0	1	—
0	1	0	1	0	—	1	1	0	1	0	—
0	1	0	1	1	—	1	1	0	1	1	—
0	1	1	0	0	—	1	1	1	0	0	2667 Hz Single tone
0	1	1	0	1	—	1	1	1	0	1	—
0	1	1	1	0	—	1	1	1	1	0	2730 Hz Single tone
0	1	1	1	1	1000 Hz Single tone	1	1	1	1	1	—

(8) CRC7 (Detect Register: Read-only)

	B7	B6	B5	B4	B3	B2	B1	B0
CRC7	VOX OUT	Silent Level 1	Silent Level 0	—	—	—	—	—
Initial Value	0	0	0	*	*	*	*	*

B7: Transmit side voice/silence detection 0: Silence 1: Voice

B6, B5: Transmit side silence level (indicator)

MSM7586-01

(0,0):Below -60 dBm0

(0,1): -50 to -60 dBm0

(1,0): -40 to -50 dBm0

(1,1): Above -40 dBm0

MSM7586-03

(0,0):Below -50 dBm0

(0,1): -40 to -50 dBm0

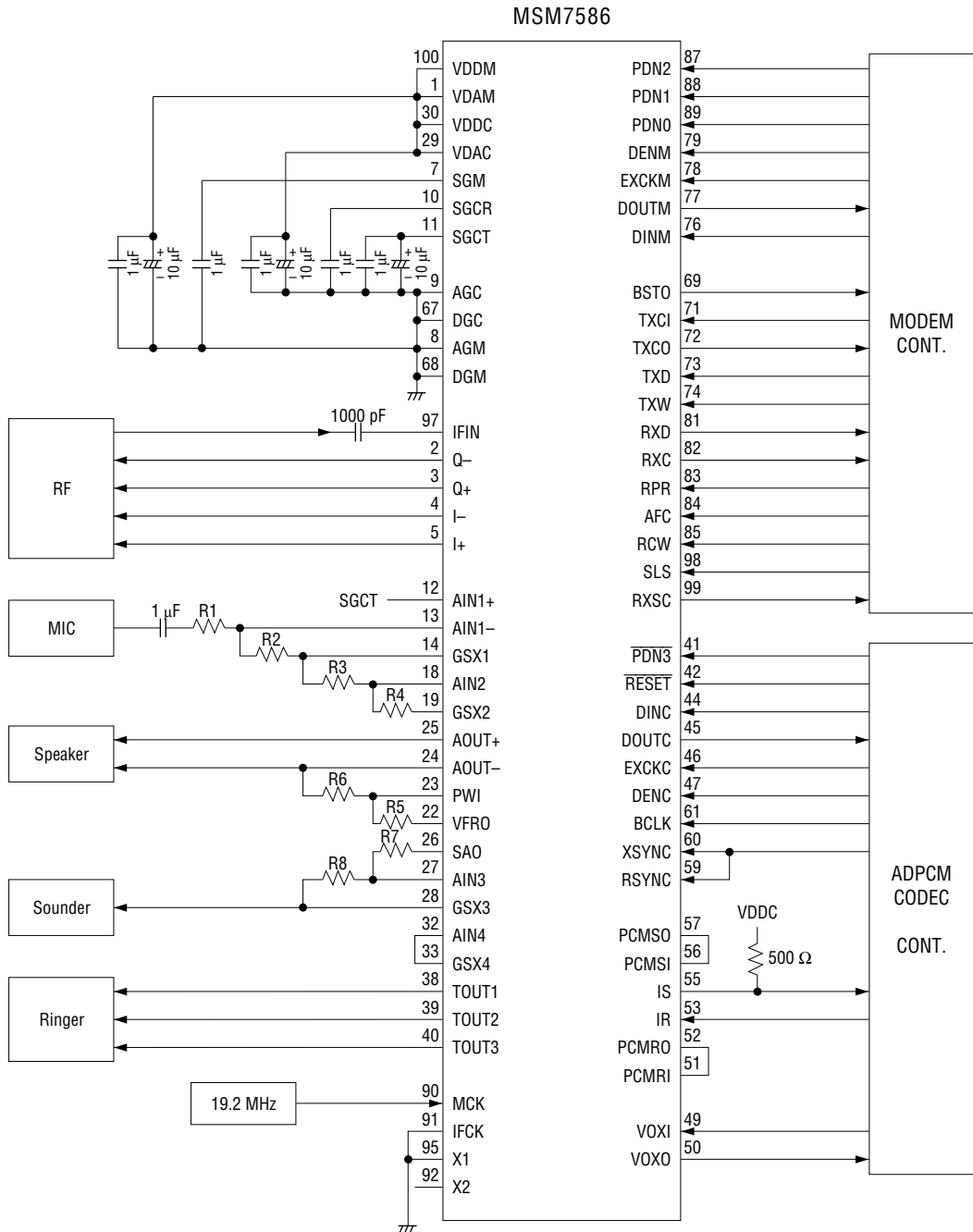
(1,0): -30 to -40 dBm0

(1,1): Above -30 dBm0

Note: These outputs are enabled when the VOX function is turned ON by CRC6 - B7.

B4, B3, B2, B1, B0: . Not used

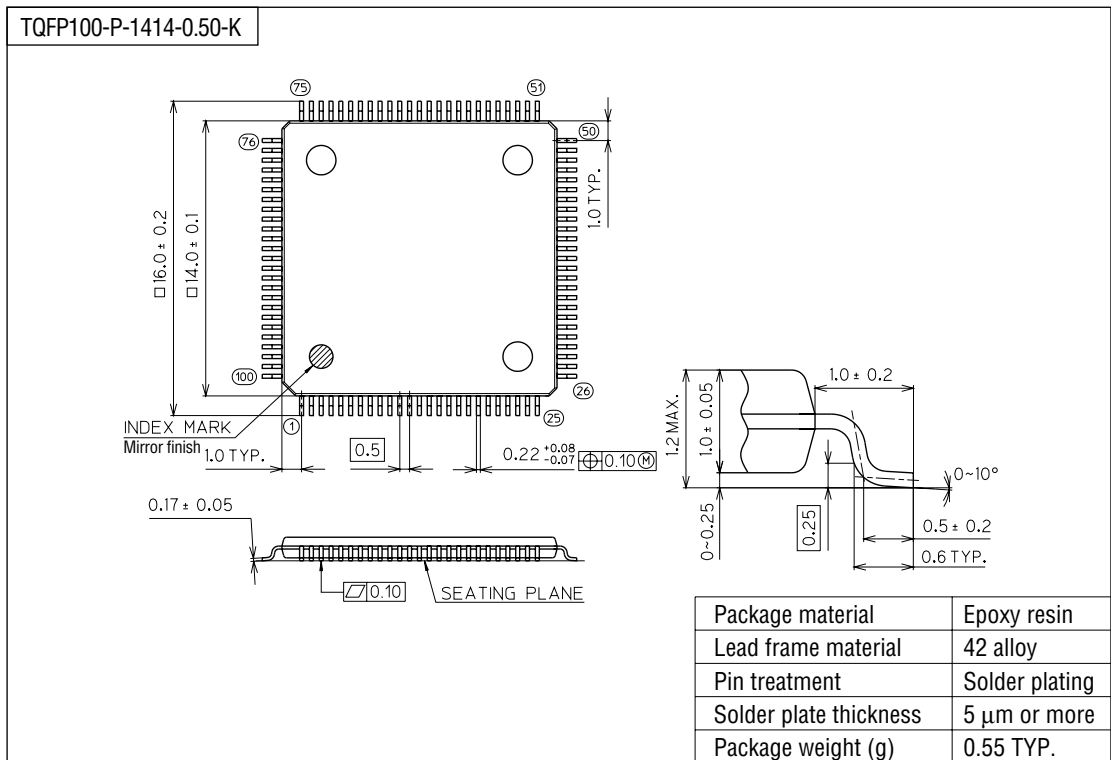
APPLICATION CIRCUIT



- R1 ≥ Output drive resistance of MIC
- R2//R3 ≥ 20 kΩ
- R4, R5, R7 ≥ 20 kΩ
- R6//Input resistance of speaker ≥ 1.2 kΩ
- R8//Input resistance of sounder ≥ 150 Ω

PACKAGE DIMENSIONS

(Unit : mm)



Notes for Mounting the Surface Mount Type Package

The SOP, QFP, TSOP, SOJ, QFJ (PLCC), SHP and BGA are surface mount type packages, which are very susceptible to heat in reflow mounting and humidity absorbed in storage. Therefore, before you perform reflow mounting, contact Oki's responsible sales person for the product name, package name, pin number, package code and desired mounting conditions (reflow method, temperature and times).